

# BUZZARD

## BOX PC

**Fanless Box PC, Intel Celeron J6412/Core i5-1235U, 8GB/16GB RAM, 256GB/512GB SSD**

- Aluminum alloy casing
- Full system IP69K level dustproof & waterproof
- 2x LAN (M12 RJ45 Connector)
- 2x USB 2.0 (M12 Connector)
- 1x COM (M12 Connector)
- 1x HDMI
- 60W Power supply
- WIFI/BT included



### Properties



### Certificates



## Technical data

	ELMATIC BUZZARD STD	ELMATIC BUZZARD PRO	
System	CPU	Intel Celeron J6412	Intel Core i5-1235U
	Frequency	2.0 GHz up to 2.6GHz	1.3 GHz, up to 4.40 GHz
	Total Cores	4	10 (# of Performance-cores - 2, # of Efficient-cores - 8)
	Total Threads	4	12
	Cache	1.5 MB	12 MB
	Memory	1 x 8GB industrial grade	1 x 16GB industrial grade
	Storage	256GB M.2 2280 SSD industrial grade	512GB M.2 2280 SSD industrial grade

Elmark Automatyka reserves the right to change the configuration without warning.

### Elmark Automatyka S.A.

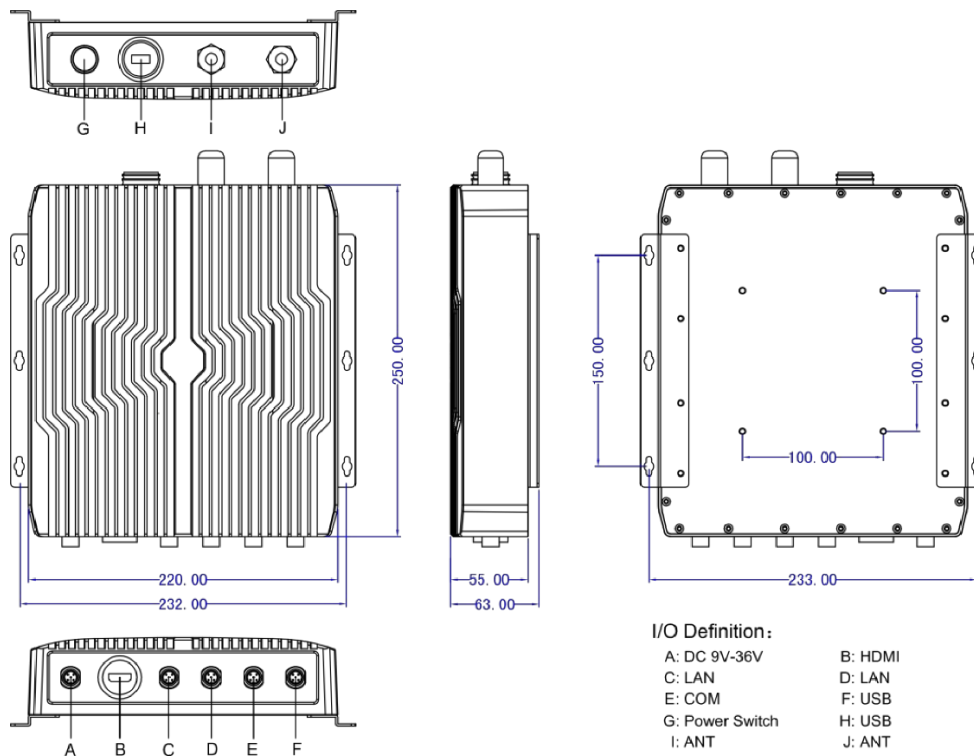
ul. Bukowińska 22 lok. 1B, 02-703 Warszawa

www.elmark.com.pl, e-mail: elmark@elmark.com.pl, tel.: (+48) 22-773-79-37

TAX ID: 5252072585, KRS: 0000803828, Sqd Rejonowy dla M.St. W-ry, XIII Wydział Gosp. KRS, Share capital 625.000 zł, fully paid-up.

Physical Characteristics	Network (LAN)	2 x LAN (M12 RJ45 Connector): - Intel 226-V GbE LAN	2 x LAN (M12 RJ45 Connector): - Intel 226-V / I219-LM GbE LAN	
	I/O	1 x HDMI 2 x M12 Waterproof Connector For USB 2.0 1 x M12 Waterproof Connector For COM (RS-232)	1 x HDMI 2 x M12 Waterproof Connector For USB 2.0 1 x M12 Waterproof Connector For COM (RS-232/422/485)	
	Expansion	1 x M.2 ( Key-E, 2230, PCIe+USB, Wifi+BT) 1 x M.2 ( Key-B, 3042/3052, PCIe/ USB 3.0+USB2.0, 4G/5G ) 1 x M.2 ( Key-M, 2280, NVMe/ SATA, SSD ) 1 x SIM Socket		
	Dimensions	220 x 180 x 55 mm	220 x 250 x 55 mm	
	Weight	2 kg	3 kg	
	Power Consumption	Input Voltage: 9-36VDC		
	OS Support	Windows 11 IoT LTSC, Windows 10 IoT LTSC, Windows 11 PRO OEM (Optional)	Windows 11 IoT LTSC, Windows 10 IoT LTSC, Windows 11 PRO OEM (Optional)	
	Environment	Operating Temperature	-30-70°C	
		Relative Humidity	5%-95%@40°C, non-condensing	10% to 95% (non-condensing)
		Vibration	1.5 Grms, IEC 60068-2-64, random, 5 ~ 500 Hz, 1 hr/axis	
EMC		CE, FCC, Class A, ROHS		

## Dimensions [mm]



Elmark Automatyka reserves the right to change the configuration without warning.

### Elmark Automatyka S.A.

ul. Bukowińska 22 lok. 1B, 02-703 Warszawa

www.elmark.com.pl, e-mail: elmark@elmark.com.pl, tel.: (+48) 22-773-79-37

TAX ID: 5252072585, KRS: 0000803828, Sqd Rejonowy dla M.St. W-ry, XIII Wydział Gosp. KRS, Share capital 625.000 zł, fully paid-up.

## Packing list

	Part Numer	Description
ELMATIC BUZZARD Unit	ELMATIC BUZZARD STD	Aluminium BoxPC J6412, 8GB, 256GB SSD, IP69K, -30~70
Power cable (type E/F)		
2 x M12 Waterproof USB Cable 2M	ELMATIC BUZZARD PRO	Aluminium BoxPC i5-1235U, 16GB, 512GB SSD, IP69K, -30~70
1 x M12 Waterproof COM Cable 2M		
2 x M12 Waterproof LAN Cable 2M		
1 x Waterproof HDMI Cable 2M		
Power supply		
CE Declaration		

## Optional Operating System

Part Numer	Description
SOFT-WIN11-PRO64PL	MS Windows 11 Professional 64-bit PL OEM
SOFT-WIN11-PRO64EN	MS Windows 11 Professional 64bit ENG OEM
SOFT-W10IoT-2021-Ent	Windows 10 IoT Ent 2021 LTSC Entry <b>(For BUZZARD STD with Celeron)</b>
SOFT-W10IoT-2021-Val	Windows 10 IoT Ent 2021 LTSC Value <b>(For BUZZARD PRO with Core i5-1235U)</b>
SOFT-W11IoT-2024-Ent	Windows 11 IoT Ent 2024 LTSC Entry <b>(For BUZZARD STD with Celeron)</b>
SOFT-W11IoT-2024-Val	Windows 11 IoT Ent 2024 LTSC Value <b>(For BUZZARD PRO with Core i5-1235U)</b>

Elmark Automatyka reserves the right to change the configuration without warning.

**Elmark Automatyka S.A.**

ul. Bukowińska 22 lok. 1B, 02-703 Warszawa

www.elmark.com.pl, e-mail: elmark@elmark.com.pl, tel.: (+48) 22-773-79-37

TAX ID: 5252072585, KRS: 0000803828, Sqd Rejonowy dla M.St. W-wy, XIII Wydział Gosp. KRS, Share capital 625.000 zł, fully paid-up.