

PPC-321W EHL

21.5" Fanless Panel PC with Intel® Celeron® J6412 Processor



Features

- Industrial-grade 21.5" FHD TFT LCD with 50K backlight lifetime
- Durable true-flat touchscreen with projected capacitive touch control
- Intel® Celeron® J6412 quad-core, 2.0 GHz, processor
- Up to 32 GB DDR4 SDRAM
- 1 x RS-232, 1 x RS-232/422/485, 2 x USB 2.0, and 2 x USB 3.1
- Compact, fanless design with solid aluminum alloy enclosure and IP66-rated front panel
- Supports E-key for wireless module
- Supports expansion via M.2 slot
- Supports Windows Embedded Linux and Android OS
- Supports VESA 75 x 75 mounting holes
- Dual 2.5GBASE-T Ethernet Supports Time-Sensitive Network(TSN) technology



Introduction

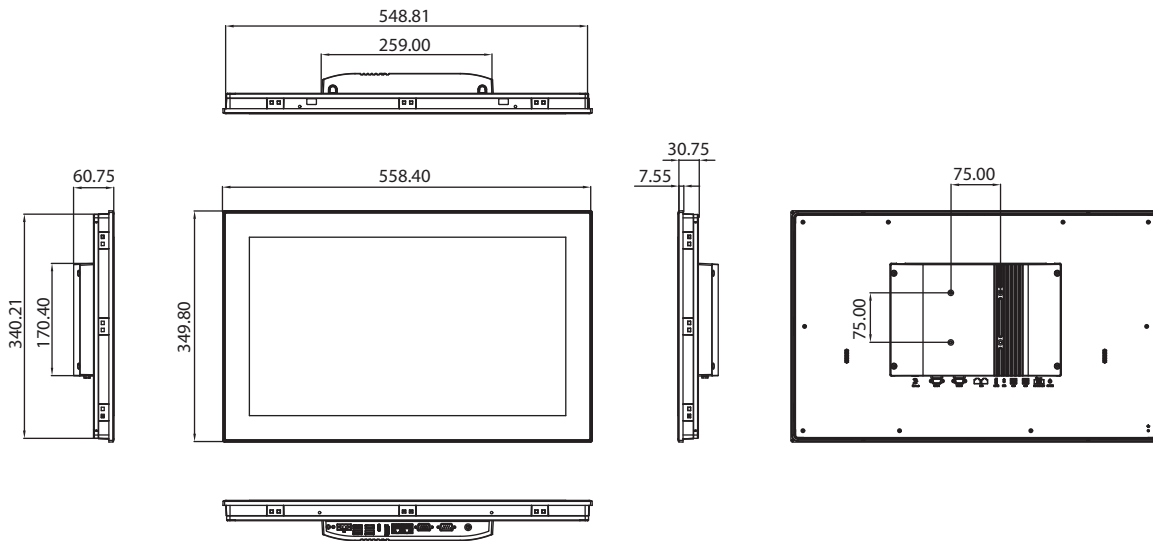
PPC-321w EHL is an industrial panel PC with 21.5" FHD LCD, powered by Intel Celeron quad core J6412 processor. With aesthetic aluminum alloy enclosure, PPC-321w EHL ensures fanless reliability and easy maintenance in diverse industrial applications. Moreover, it provides more faster and flexible connection via 2 x 2.5G Ethernet port, 2 x USB 3.1 and 1 x Type C (USB only). The PPC-321w EHL is ideal for MES, processing and general industrial equipment integration.

Specifications

| | | |
|---------------------------------|--------------------------------|---|
| System | CPU | Intel® Celeron® J6412 quad core |
| | Frequency | 2.0 GHz |
| | L2 Cache | 1.5 MB |
| | Memory | 1 x SDRAM DDR4 3200 MHz (max. 32G) |
| | Storage | 1 x 2.5" SATA bay (optional; requires a bracket module for installation) 1 x M.2 slot: M key for storage (SATA only, 2242 & 2280) |
| | Network (LAN) | 2 x 10/100/1000/2500 Mbps Ethernet (Intel I226-LM) |
| | I/O | 2 x Serial ports: 1 x RS-232, 1x RS-232/422/485 (Adjustable through BIOS) 2 x USB 2.0, 2 x USB 3.1 1 x Type C (USB only) 1 x HDMI1.4 1 x TPM2.0 |
| | Expansion | 1 x M.2 2230 E-key for wireless card |
| Physical Characteristics | Watchdog Timer | 255 timer levels, set up by software |
| | Dimensions | 558 x 350 x 61 mm (22 x 13.8 x 2.4 in) |
| OS Support | Weight | 7.2 kg (15.87 lb) |
| | OS Support | Microsoft® Windows 10 IOT LTSC(64-bit), Win11, Linux, Android |
| Power Consumption | Input Voltage | 12 ~ 30 V _{DC} |
| | Power Consumption | 50W (Burn-in test 8.1 in Windows 10, 64-bit) |
| LCD | Display Type | 21.5" TFT LCD (LED backlight) |
| | Resolution | 1920 x 1080 |
| | Viewing Angle | 89 (left), 89 (right), 89 (up), 89 (down) |
| | Luminance (cd/m ²) | 250 |
| | Contrast Ratio | 1000 |
| | Backlight Lifetime | 50,000 hr (min.) |
| Touchscreen | Touch Type | ELO Projected Capacitive Multi-touch |
| | Light Transmission | 88±2% |
| | Controller | USB interface |
| | Durability (Touches) | Cover glass > 7H |
| Environment | Operating Temperature | -10 ~ 50°C (14 ~ 122°F) |
| | Storage Temperature | -20 ~ 60 °C (-4 ~ 140 °F) |
| | Relative Humidity | 95% @ 40 °C (non-condensing) |
| | Shock | Operating 10 G peak acceleration (11 ms duration), follow IEC 60068-2-27 |
| | Vibration | Operating Random Vibration Test 5 ~ 500Hz, 2Grms @with SSD, follow IEC 60068-2-64 |
| | EMC | CE, FCC Class B, BSMI, UKCA, VCCI |
| | Safety | CB, CCC, UL, UKCA |
| | Front Panel Protection | IP66 compliant |

Dimensions

Unit: mm

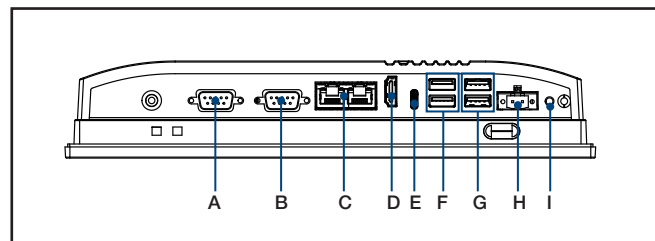


Panel Cutout Dimensions: 550.3 x 341.8 mm (21.66 x 13.45 in)

Ordering Information

| Part Number | Description |
|--------------------|---|
| PPC-321W-PJ60A | 21.5" PPC w/Intel J6412, P-Cap |
| 98R3P300020 | PPC-300 EHL 2.5" SSD bracket module |
| 96PSA-A90W190T-3 | Power adapter 100-240V 90W 19V |
| PPC-WLAN-D2 | M.2, WiFi6 +BT5.2, 2T2R, w/Antenna |
| PPC-ARM-A03 | ARM VESA Standard (A-CLEVER) for PPC series |
| PPC-174T-WL-MTE | Wall mount kit for PPC series |
| PPC-Stand-A1E | Stand for PPC series |
| 1700001524 | Power cord 3P UL 10A 125V 1.8M |
| 170203183C | Power cord 3P Europe (WS-010+083) 183cm |
| 1700008921 | Power cord 3P/3P 1.8M PSE |
| 96CB-POWER-B-1.8MB | Power cord 3P CCC(China) 1.8M |
| 98R3P300010 | PPC-300 RFID Read only 13.56MHz&125k |

I/O View



- A. 1 x RS-232
- B. 1 x RS-232/422/485
- C. 2 x LAN
- D. 1 x HDMI
- E. 1 x Type C (USB only)
- F. 2 x USB 3.1
- G. 2 x USB 2.0
- H. DC-In
- I. Power Switch

Please note: If some optional modules are offered with the system, additional system certificates may be required in certain regions/countries. Please contact Advantech for certificate compliance.